

SUN Ghirlanda

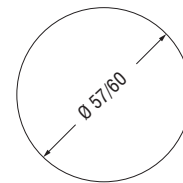
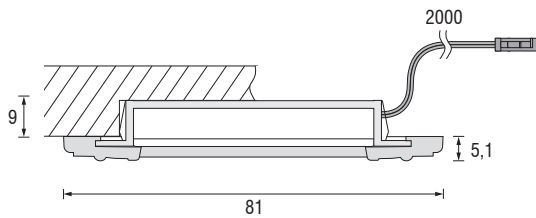
LED 350mA - 3,5W

- ☐ **Faretto da incasso** - Realizzato in metallo con schermo in policarbonato; ghiera esterna in policarbonato con decoro finitura anticata.
- ☐ **Recessed spotlight** - Metal structure with polycarbonate screen; ring in polycarbonate with classic décor and antique finish.
- ☐ **Einbaustrahler** - Metall-Gehäuse mit Polykarbonat-Abdeckung; Einbauring aus Polykarbonat mit Antik-Dekor und Ausführung.



118-140 lm/W PHOTOBIOLOGICAL CLASS 0 CRI=85

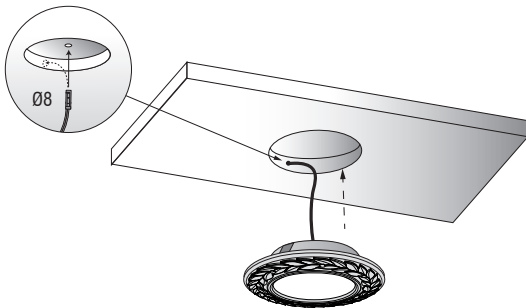
CE ENEC 05 (UL) (V) (W) (F) (IP20) PATENTED



Foro di incasso
Recessed hole / Einbaumaße



Decoro
Décor / Dekor



Finitura Silver Bronze
Silver Bronze finish / Silver Bronze-Ausführung

Finitura Finish - Ausführung	3000 K		Imballo - Packaging - Verpackung		
	Codice - Part no. - Artikel-Nr.	EEC	Pcs	Kg	mm
Golden Bronze	1730022GB	A++	1	0,084	100 x 90 x 23
Silver Bronze	1730022SB	A++	1	0,084	100 x 90 x 23
Oro lucido / Shiny Gold / Gold	1730022OL	A++	1	0,084	100 x 90 x 23
Cromo lucido / Shiny chrome / Chrom	1730022CL	A++	1	0,084	100 x 90 x 23

SUN CLASSIC LED 350mA - 3,5W		LUX 3000K
mm	108°	
250	Ø 1000	1500
500	Ø 2000	380
750	Ø 3100	180
1000	Ø 4100	100

Dimensioni in millimetri (mm) / Dimensions in Millimeters (mm) / Dimensionen in Millimetern (mm)
Alimentatore non incluso / Driver not included / LED-Konverter nicht inbegriffen

