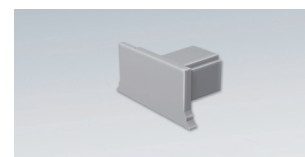
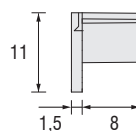
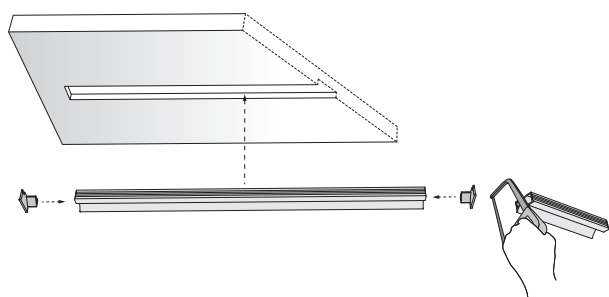
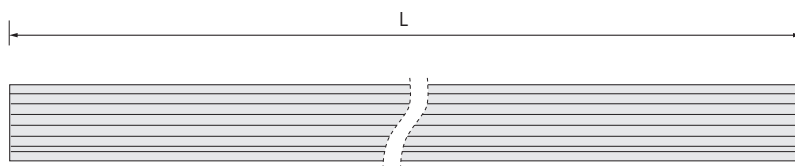
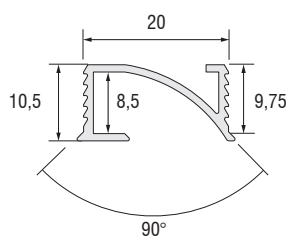
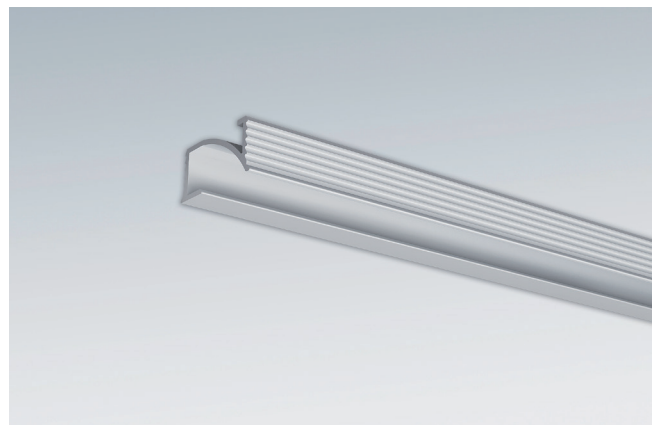


PRO-ODO 3.0

- ☐ **Profilo in alluminio ossidato per incasso** - Tagliabile a misura; si abbina a terminali di chiusura in policarbonato (opzionali).
- ☐ **Oxidized aluminum profile for flush mounting** - Cuttable to size; it combines with polycarbonate end caps (optional).
- ☐ **Einbauprofil aus eloxiertem Aluminium** - Kürzbar und kombinierbar mit Endkappen aus Polycarbonat (optional).



Ⓐ Terminali
End covers / Endkappen

Profilo - Profile - Profil	
L	Codice - Part no. - Artikel-Nr.
2000	662OP2000
3000	662OP3000
Terminali - End covers - Endkappen	
PCS	Codice - Part no. - Artikel-Nr.
Ⓐ PAIR	662OT0001

Dimensioni in millimetri (mm) - Dimensions in Millimeters (mm) - Dimensionen in Millimetern (mm)