

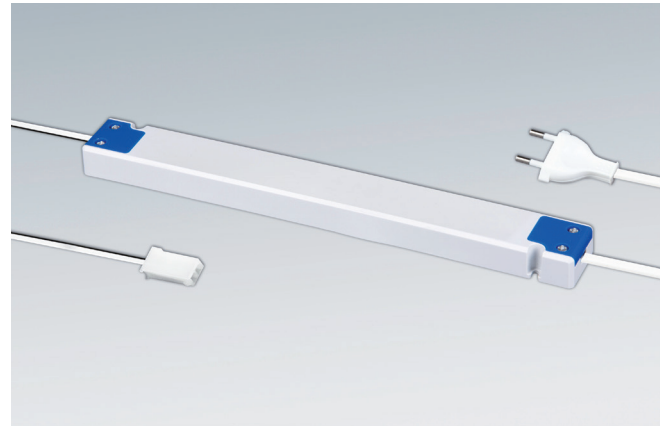
DRIVER 30W SLIM

LED 24V - IN 220÷240V

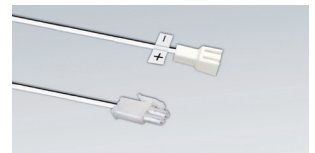
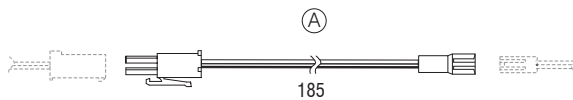
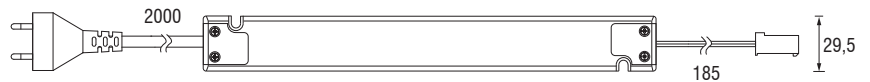
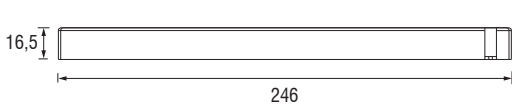
IT Driver per LED con cavo e spina - Tipo indipendente per uso interno, tensione di uscita costante 24V; protetto contro il corto circuito e il sovraccarico.

EN LED driver with cable and plug - Independent type for internal use, constant exit voltage 24V, protected against short circuit and overload.

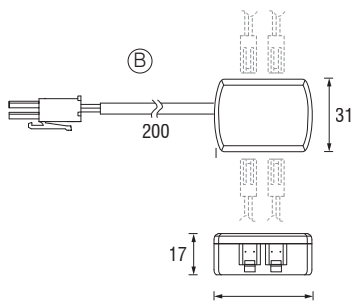
DE LED-Konverter mit Kabel und Stecker - Unabhängige Konverter mit staendiger Ausgangsspannung 24V, kurzschlussfest und ueberbelastungsgeschuetzt.



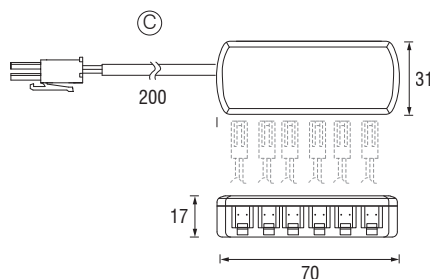
CE ENEC SELV IP20



(A) Cavo per connessione singola
Single connection cable
Einzelverbindungskabel



(B) Distributore a 4 uscite
4-way distribution box
4-fach Verteiler



(C) Distributore a 6 uscite
6-way distribution box
6-fach Verteiler

| Alimentatore - Driver - LED-Konverter | | | | |
|---------------------------------------|-----------|-------|-----|---------------------------------|
| V IN | Hz | V OUT | W | Codice - Part no. - Artikel-Nr. |
| 220V÷240V | 50...60Hz | 24V | 30W | 3T496401 |

| Imballo - Packaging - Verpackung | | |
|----------------------------------|-------|---------------|
| Pcs | Kg | mm |
| 1 | 0,210 | 17 x 55 x 250 |

| Accessori - Accessories - Zubehör | | Codice - Part no. - Artikel-Nr. |
|-----------------------------------|---|---------------------------------|
| (A) | Prolunga / Extension / Verlängerungskabel | 6LC10008 |
| (B) | 4 uscite / 4 Way / 4-fach | 1T3001 |
| (C) | 6 uscite / 6 way / 6-fach | 1T3002 |

| Pcs | Kg |
|-----|-------|
| 1 | 0,005 |
| 1 | 0,021 |
| 1 | 0,028 |

Dimensioni in millimetri (mm)
Dimensions in Millimeters (mm) - Dimensionen in Millimetern (mm)

Compatibile con prodotti LED 24V
Compatible with 24V LED products - Kompatibel mit 24V LED Produkten

