

PRODUCT SPECIFICATION SHEET



HAILO AS Cargo 600 28/13/13/D

3610851

GTIN: 4007126301109

For cabinets with front-mounted door of
600 mm width



SLIDE



3 BUCKET

54 L

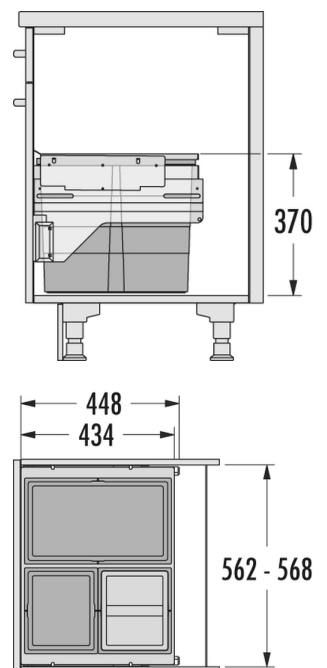
TOTAL

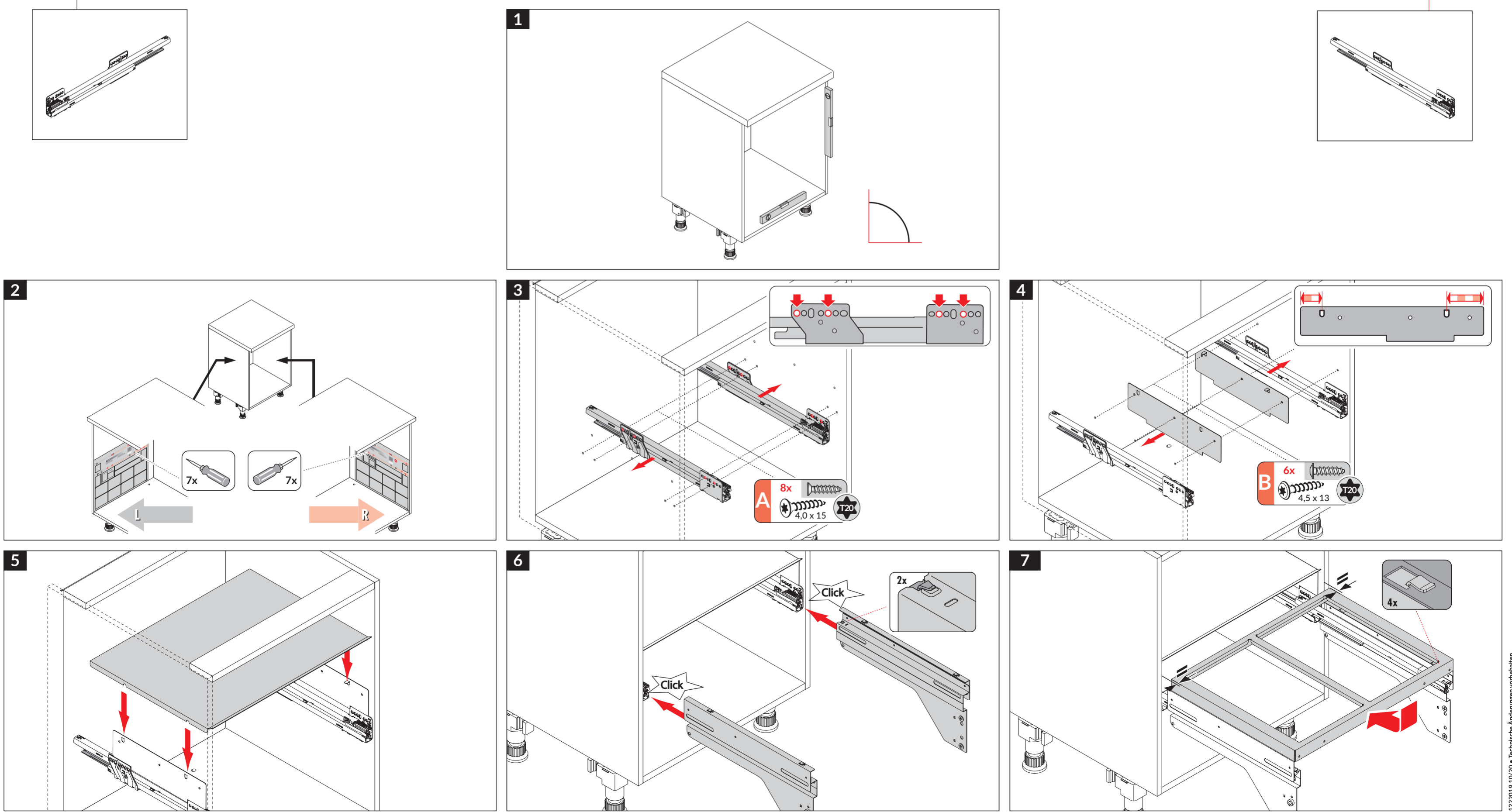
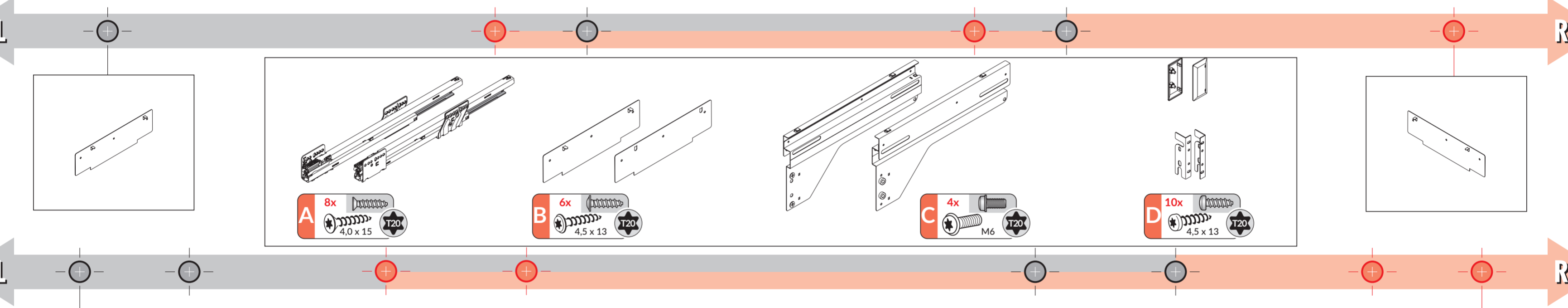
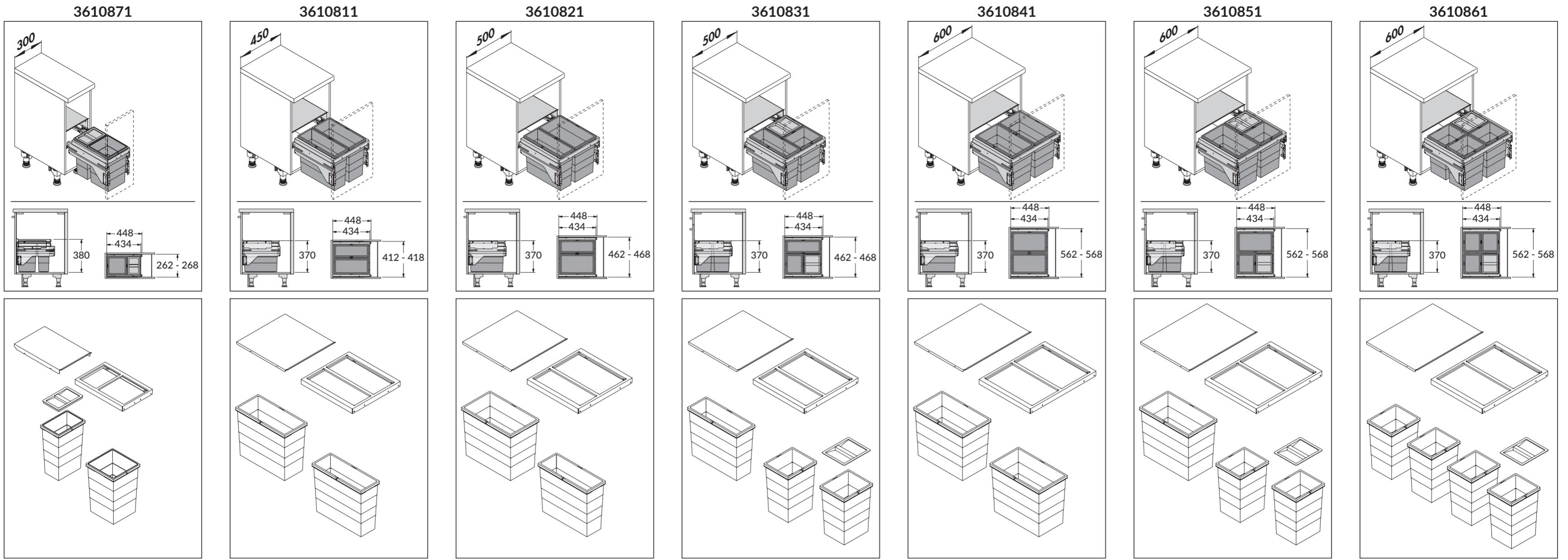
Suitable for cabinet width (cm)

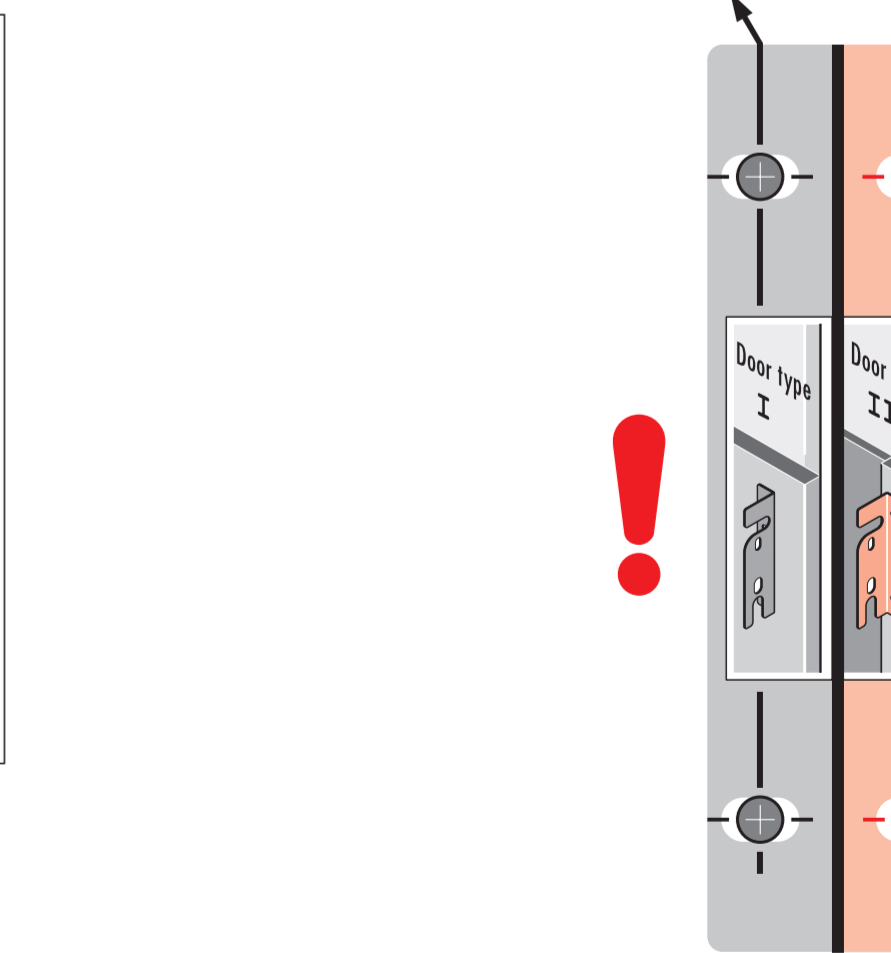
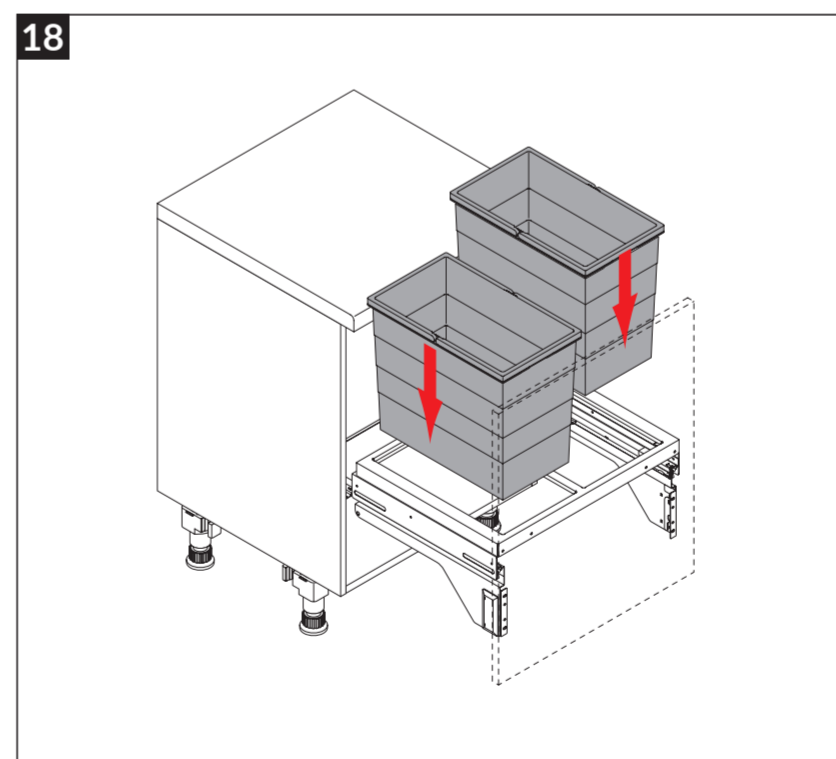
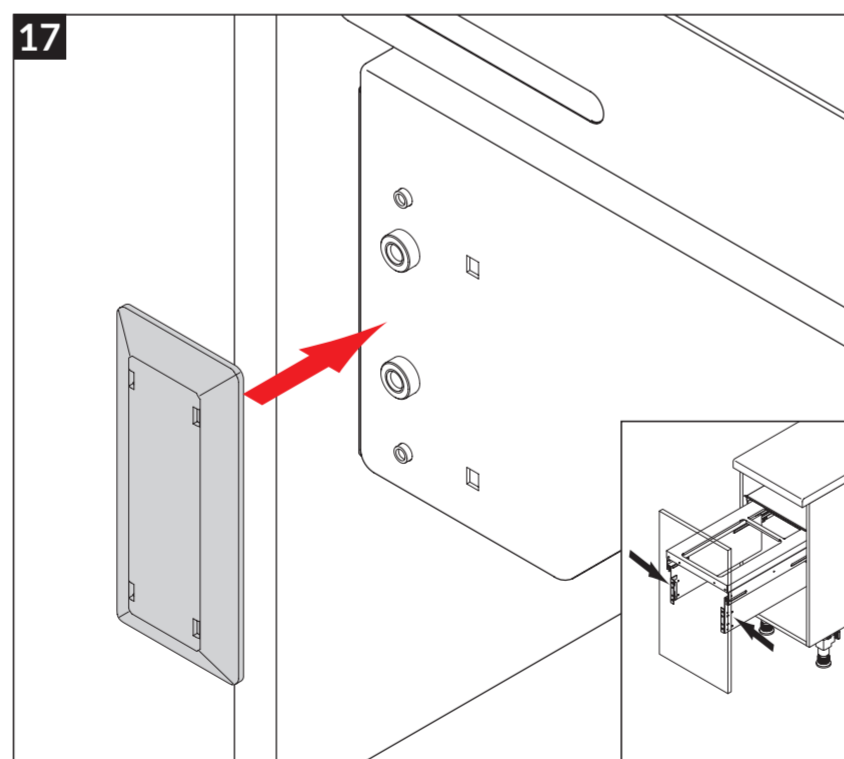
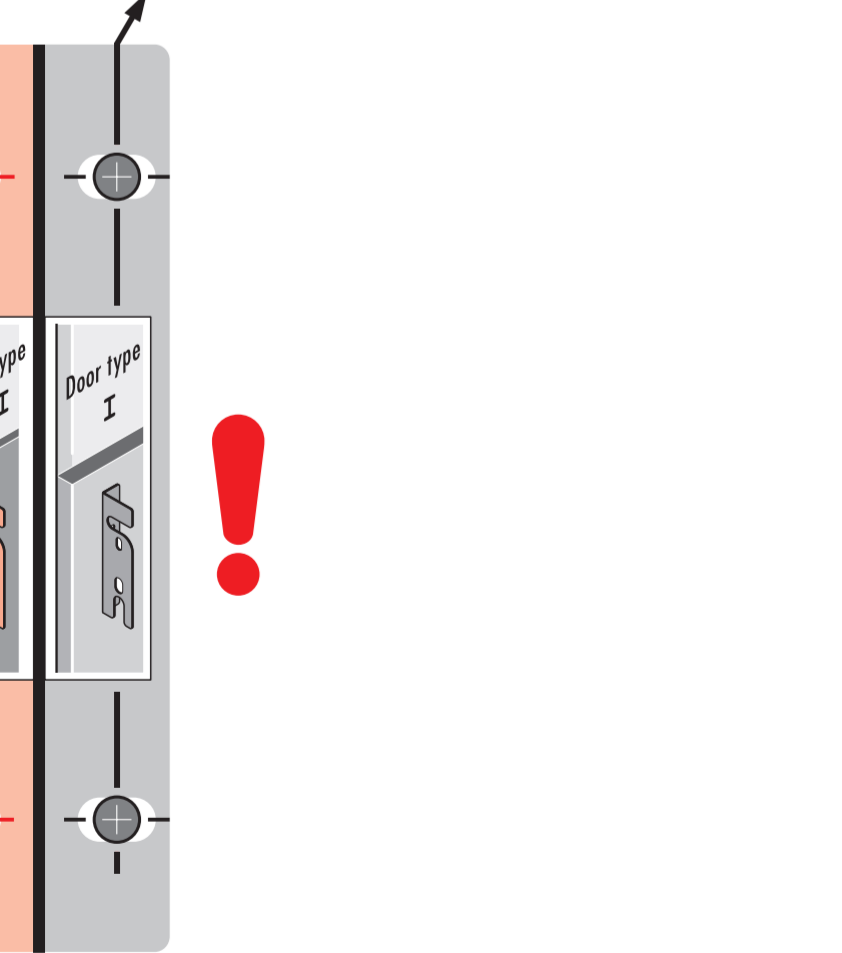
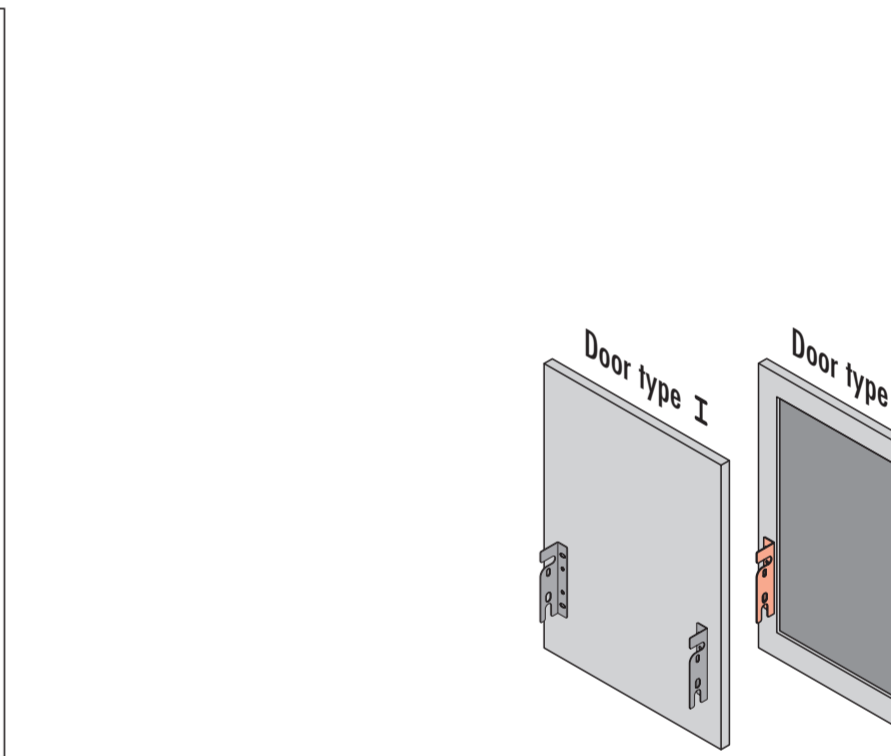
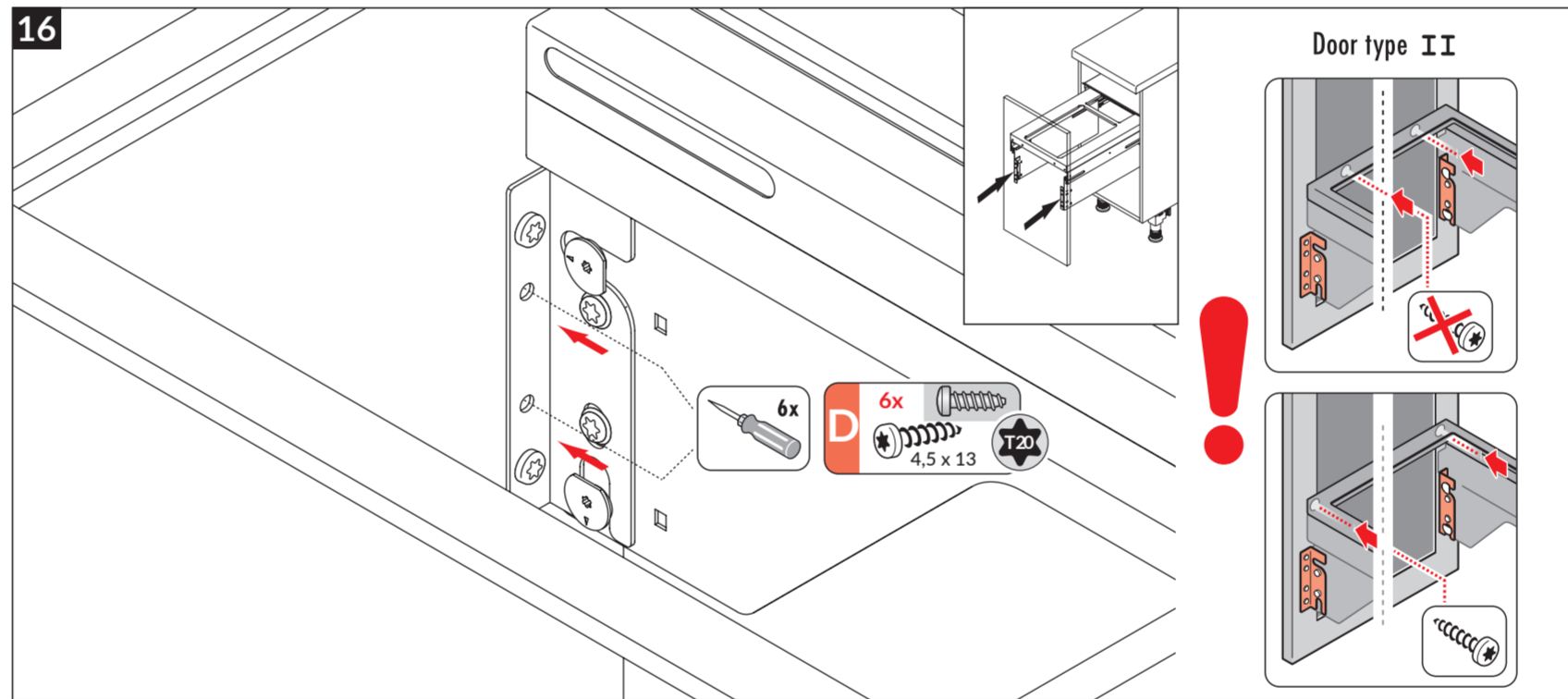
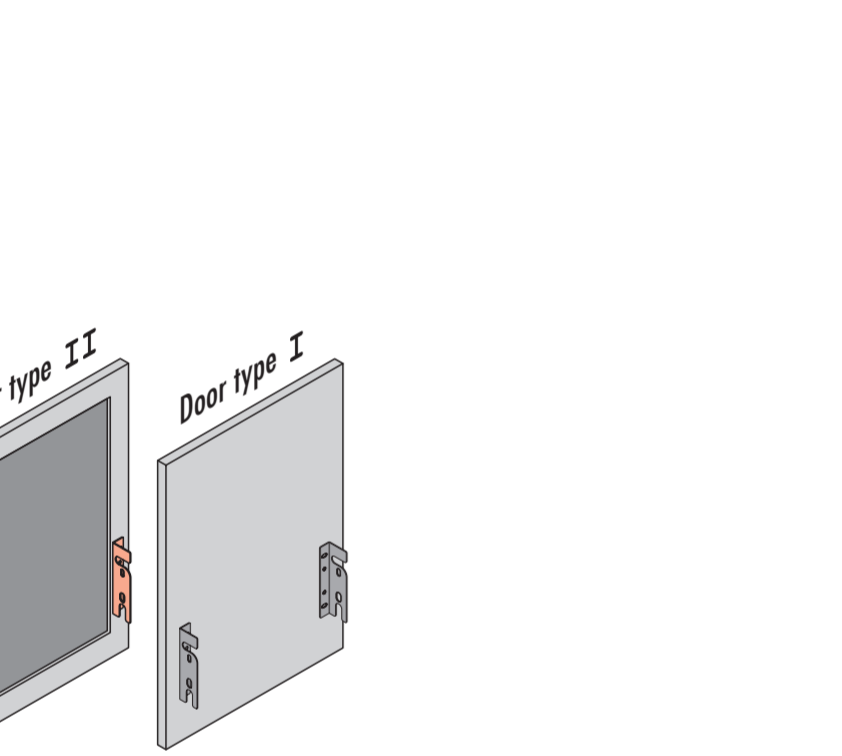
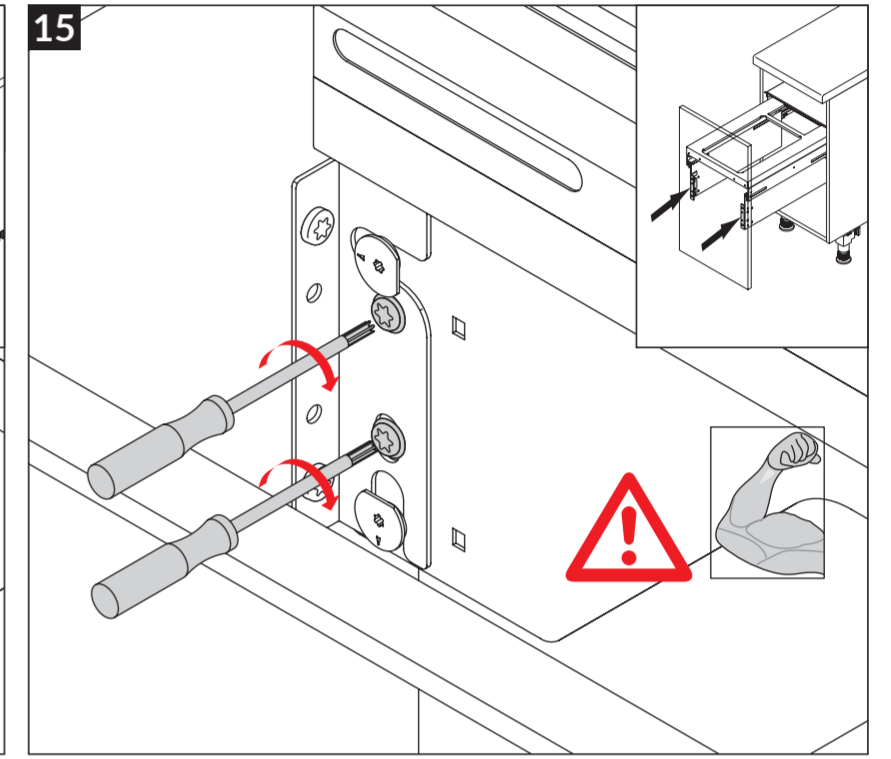
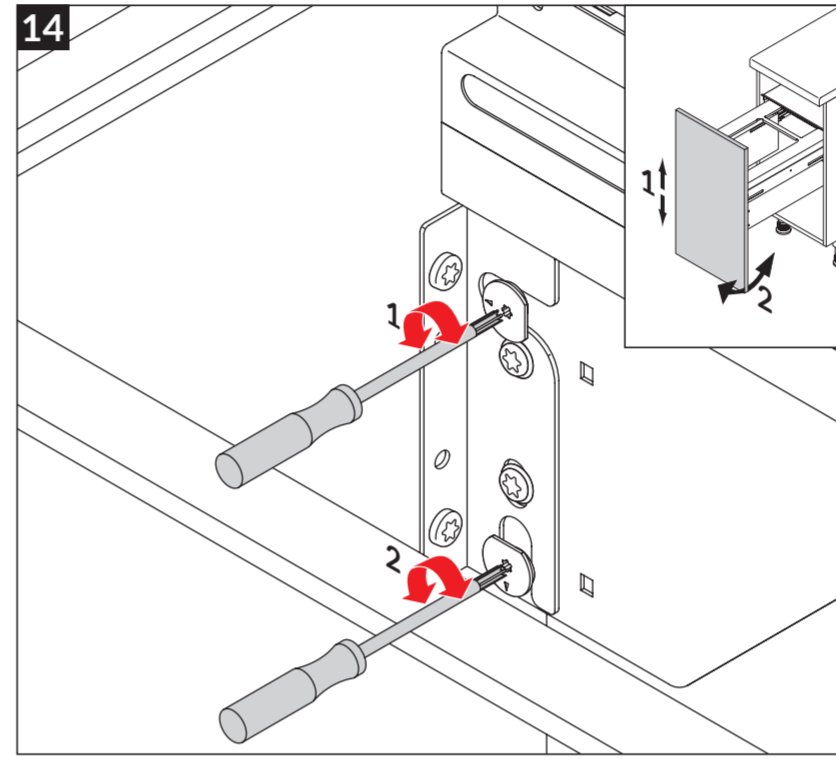
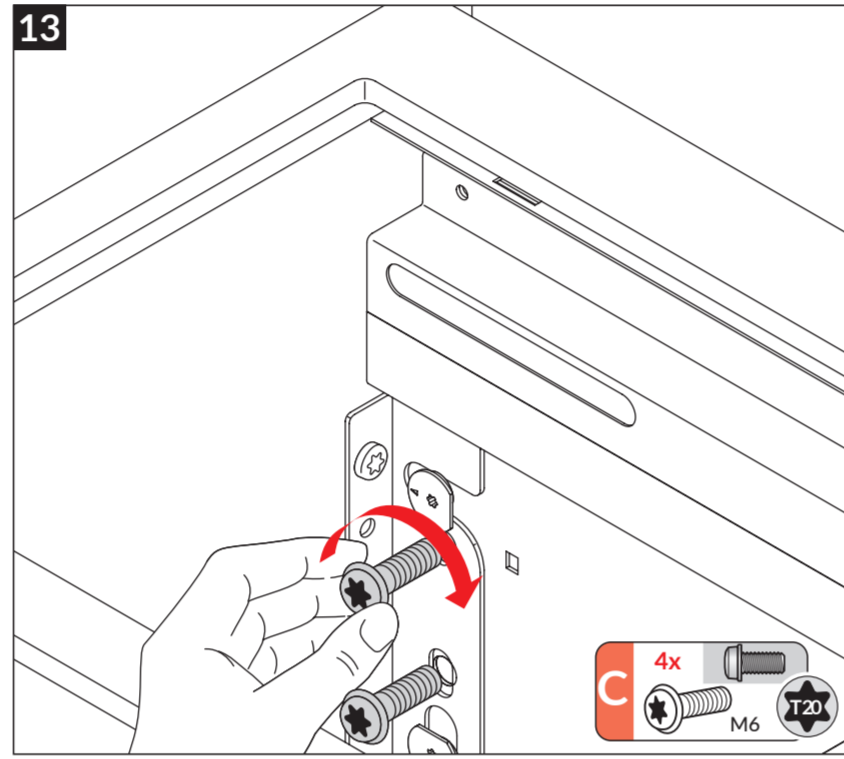
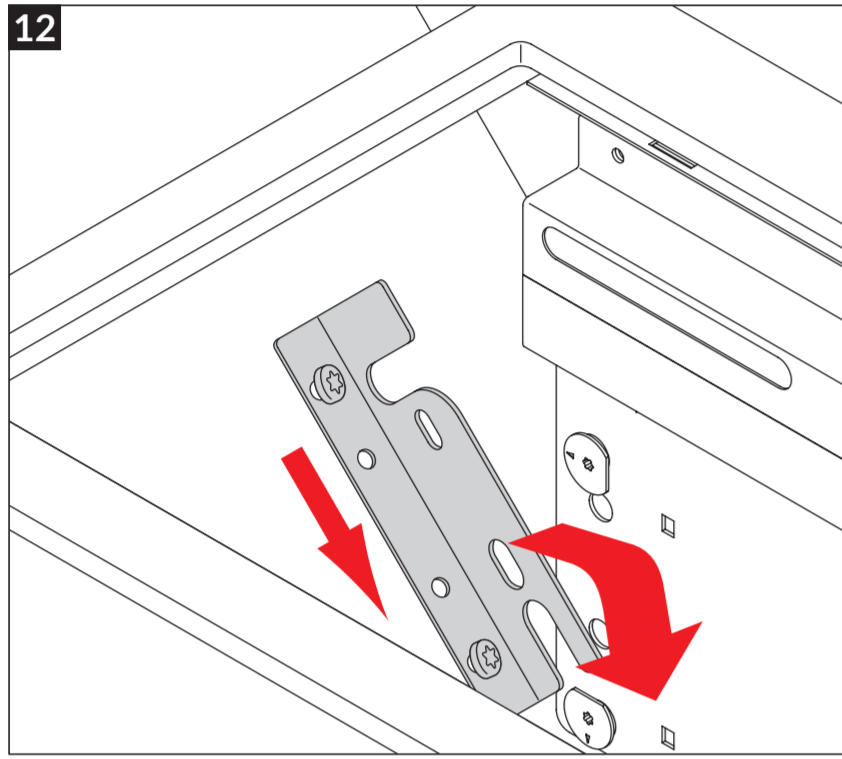
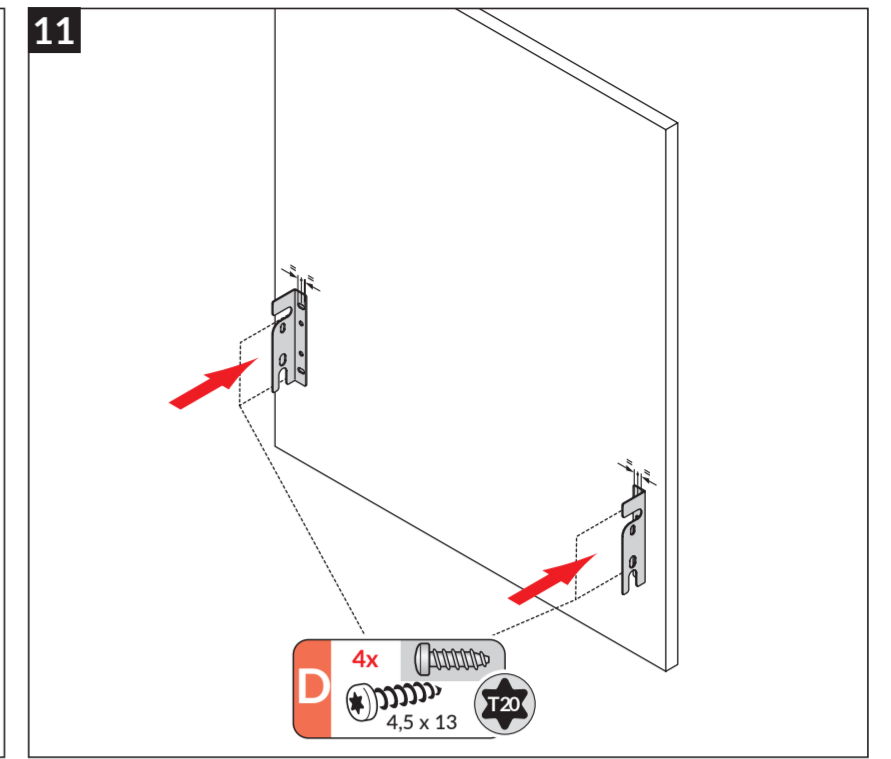
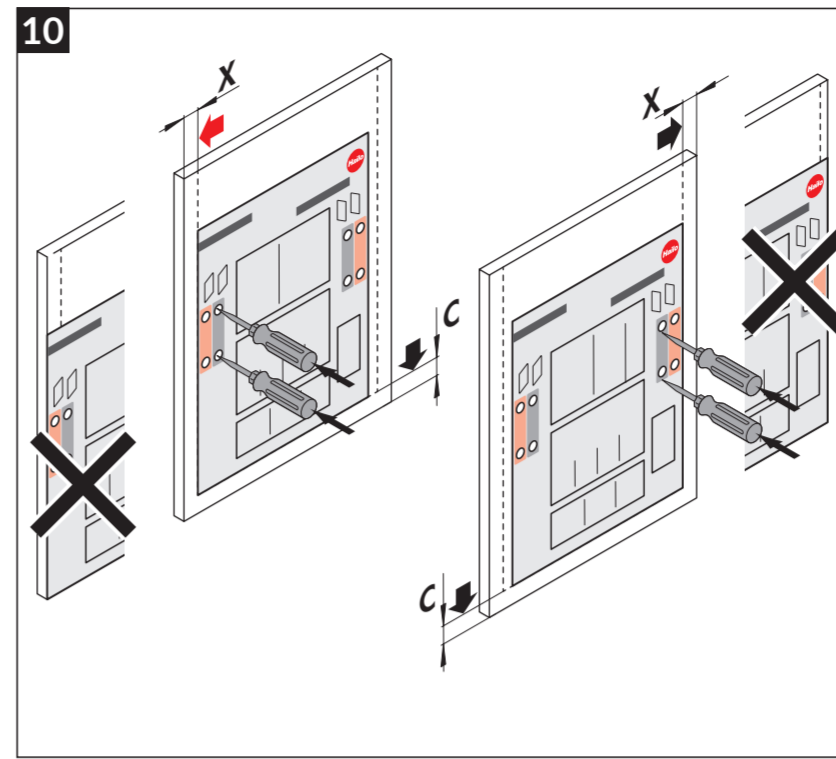
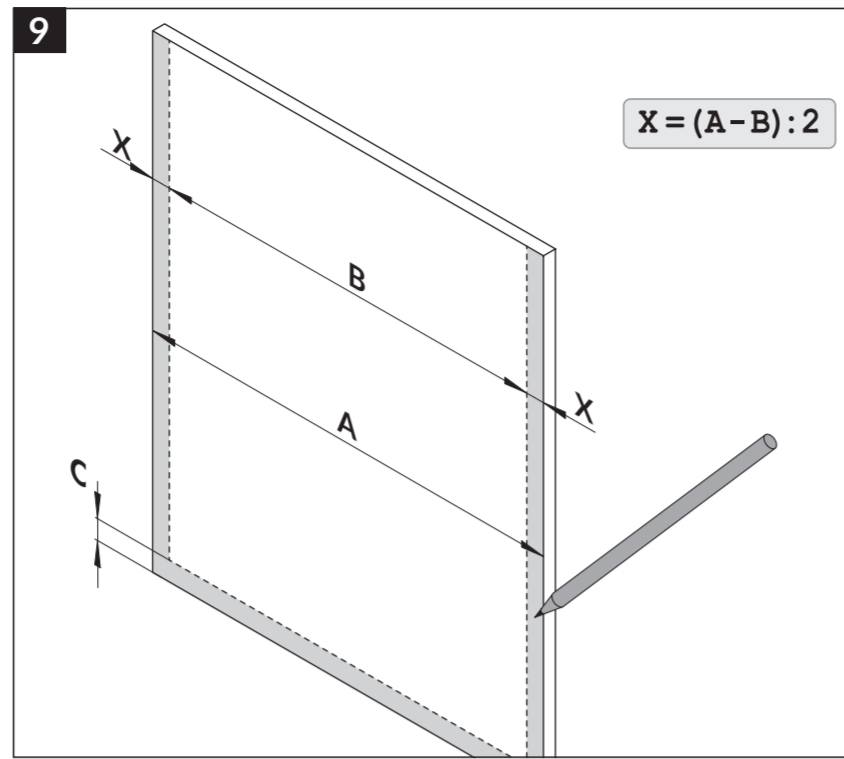
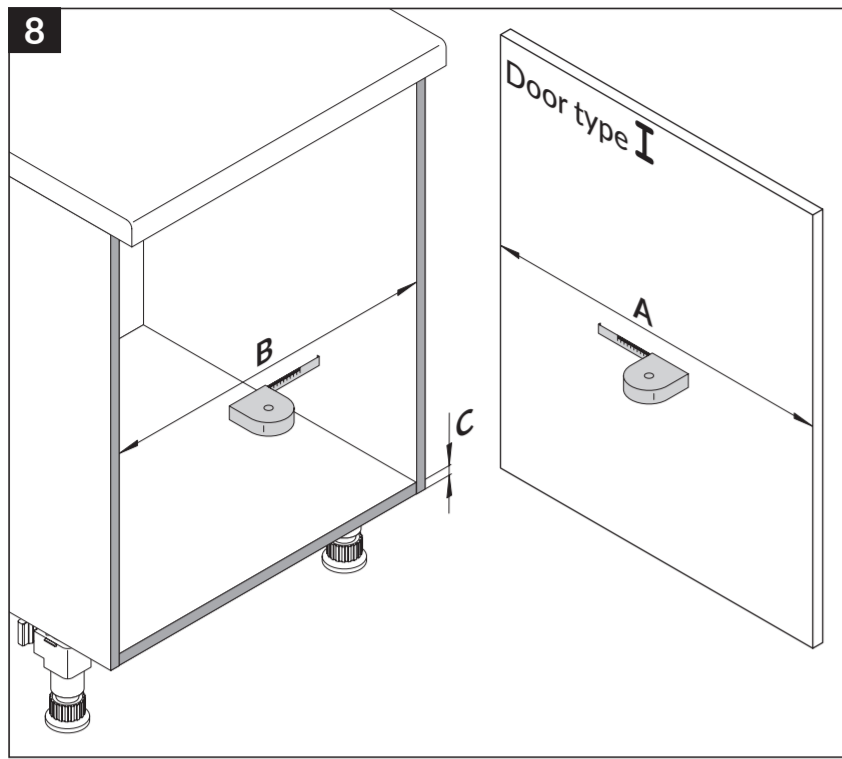
60

Specifications

Type of installation	Slide	✓
Cabinet-width min. (cm)	60	
Cabinet-width max. (cm)	60	
Suitable for cabinet width (cm)	60	
available Cabinet-depth min. (mm)	450	
Sidewall mounted		✓
Slides	covered, dampened slides with self-closing device with fully synchronized over-travel	
Side-wall thickness (mm)	16 - 19 (self-adjusting)	
Product dimensions (WxDxH) (mm)	562-568 x 434 x 370	
Packing dimensions (WxDxH) (mm)	480 x 310 x 610	
System-depth (mm)	448	
Number of bins	3	
Lid	Sheet metal system lid + 1 Lid 13 l	
Capacity (l)	1 x 28 + 2 x 13	
Total volume (l)	54	
Color plastic parts	dunkelgrau	
Color metal parts	dunkelgrau	
Weight incl. packing (kg)	11,8	







20

Nur handelsübliche, wasserlösliche Reinigungsmittel benutzen, keine aggressiven, scheuernden Mittel verwenden.

Use only standard water-soluble cleaning agents. Do not use aggressive or scouring agents!

Utiliser uniquement des nettoyeurs courants solubles à l'eau, ne pas utiliser de nettoyeurs agressifs récurants.

Gebruik uitsluitend in de handel gebruikelijke, in water oplosbare schoonmaakmiddelen, gebruik geen agressieve, schurende middelen.

Utilizzare solo comuni detergenti in commercio, solubili in acqua. Non utilizzare prodotti aggressivi e abrasivi.

Utilizar exclusivamente limpiadores solubles en agua, de venta habitual. No utilizar agentes corrosivos ni agresivos.