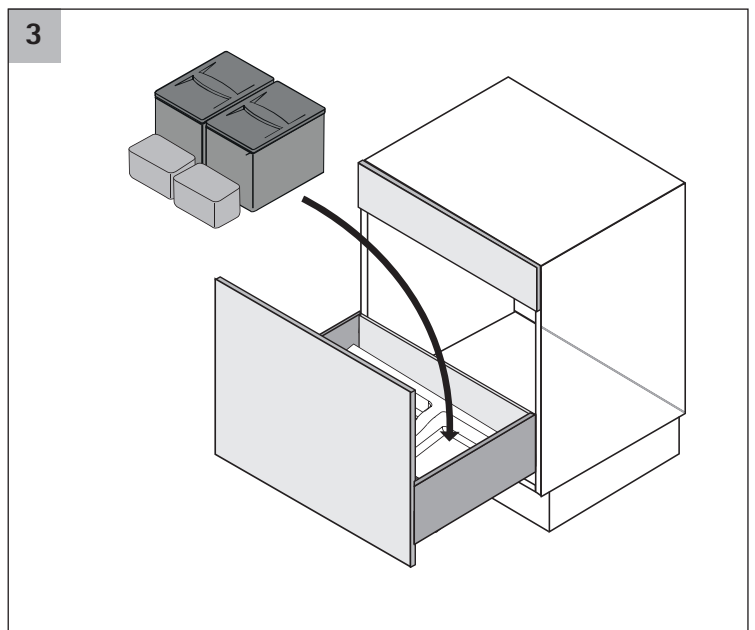
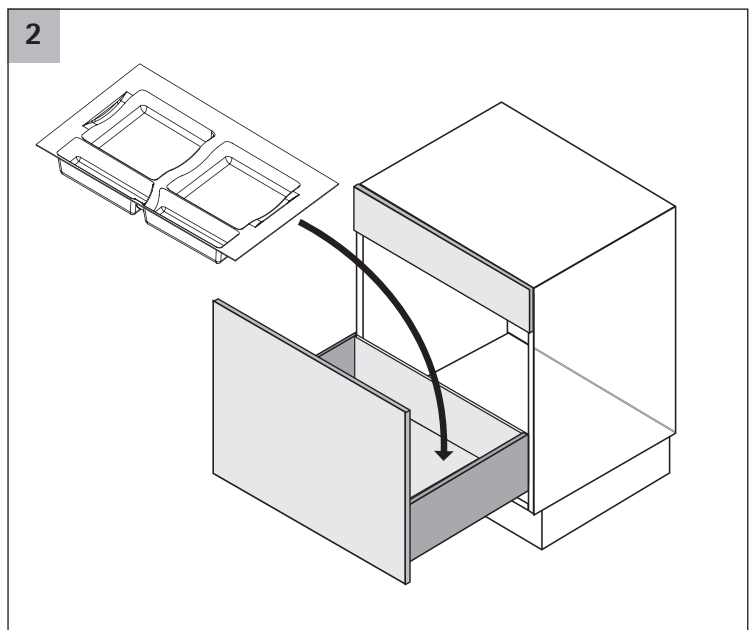
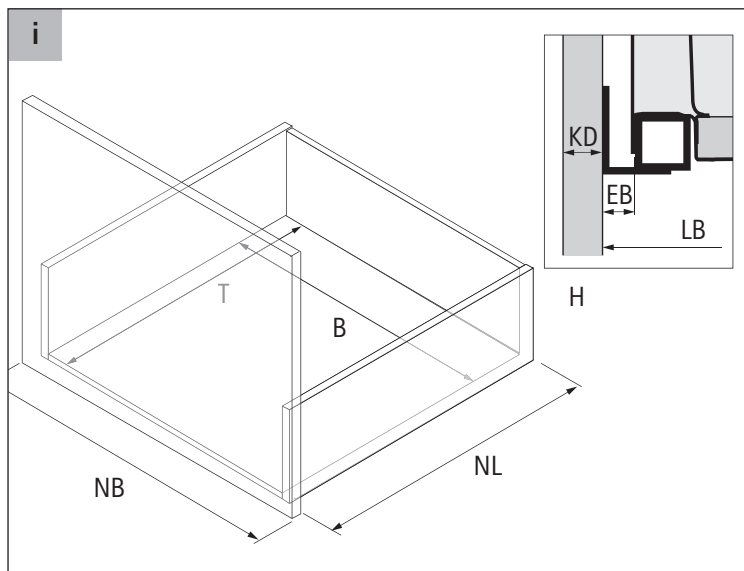
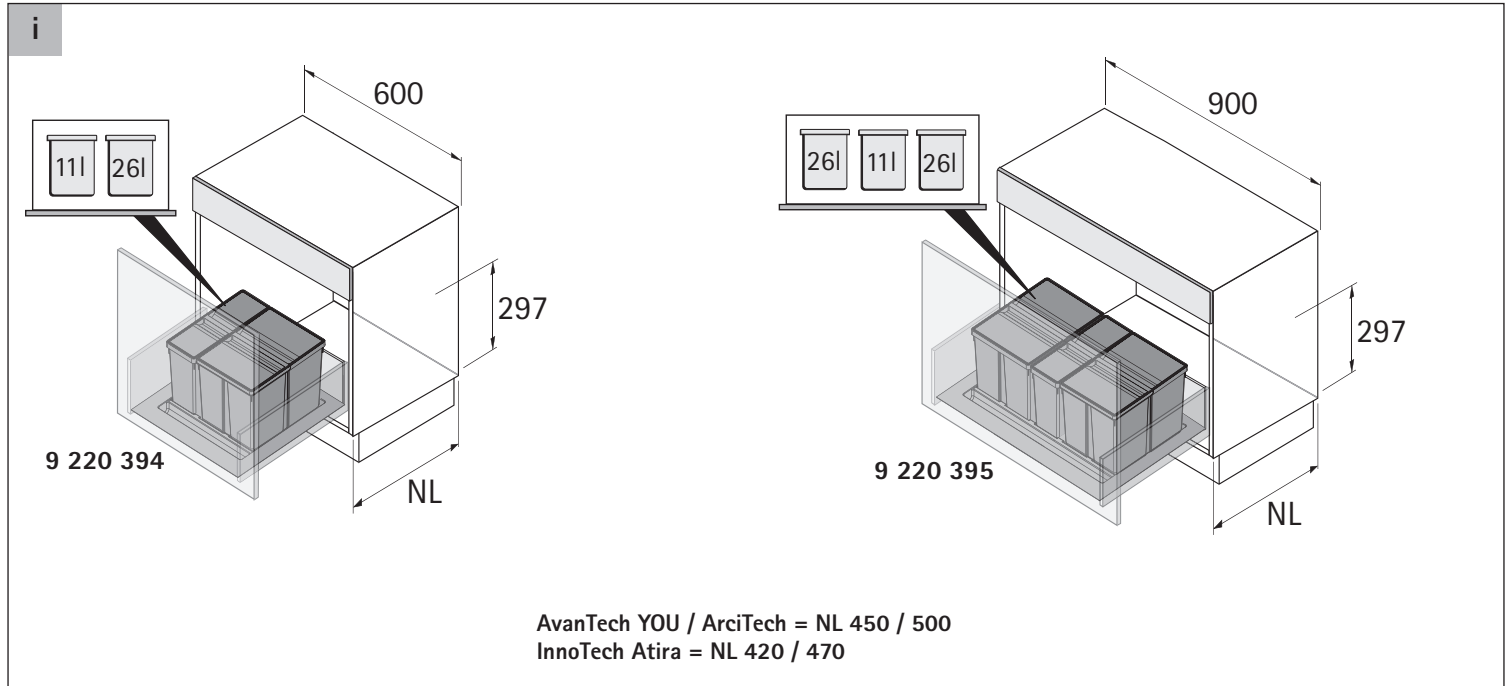


**1**

B  
T

	B	T
ArciTech	LB - 2 x EB - 52	NL - 27
AvanTech YOU	NB - 2 x KD - 42	NL - 27
InnoTech Atira	NB - 2 x EB - 44	NL - 8
InnoTech	NB - 2 x EB - 38	NL - 8

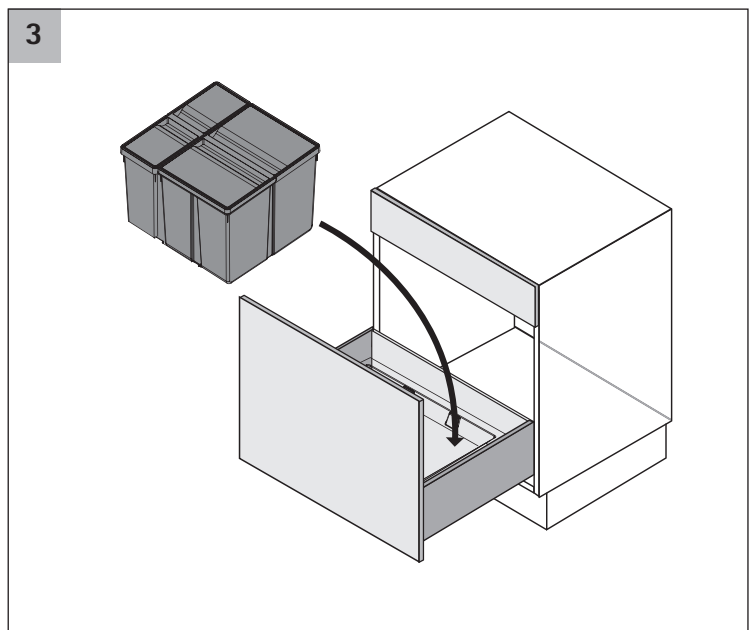
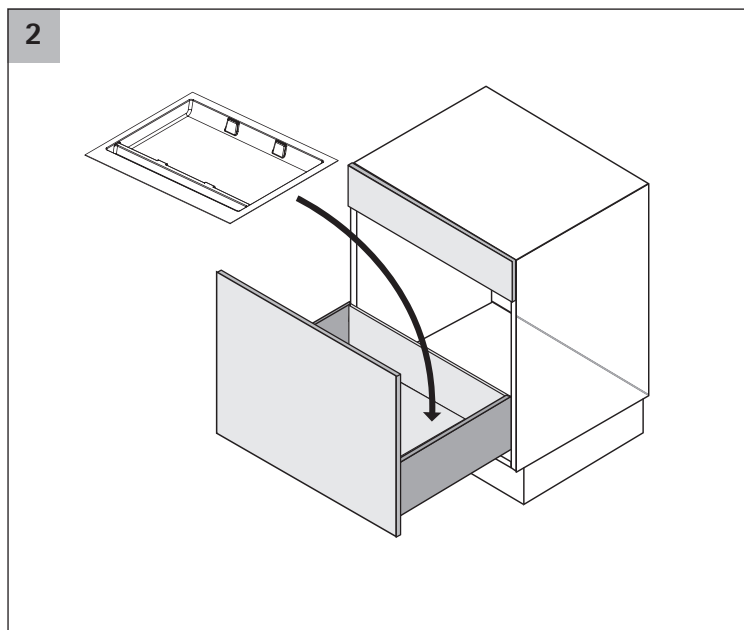




**1**

B  
T

	B	T
ArciTech	H 94 : LB - 2 x EB - 49 H 126: LB - 2 x EB - 52	NL - 27
AvanTech YOU	NB - 2 x KD - 42	NL - 27
InnoTech Atira	NB - 2 x EB - 44	NL - 8
InnoTech	NB - 2 x EB - 38	NL - 8



**i**

9 208 750

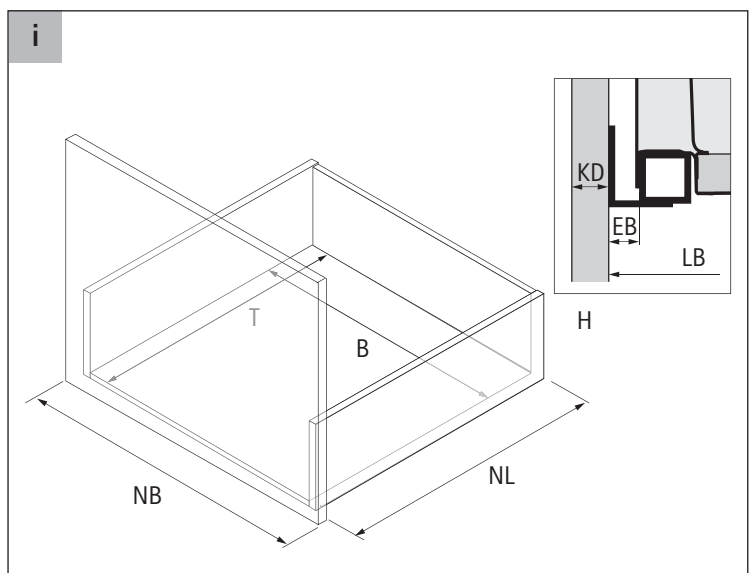
\* 9 208 757 9 132 386

9 208 754 9 132 384

9 208 752

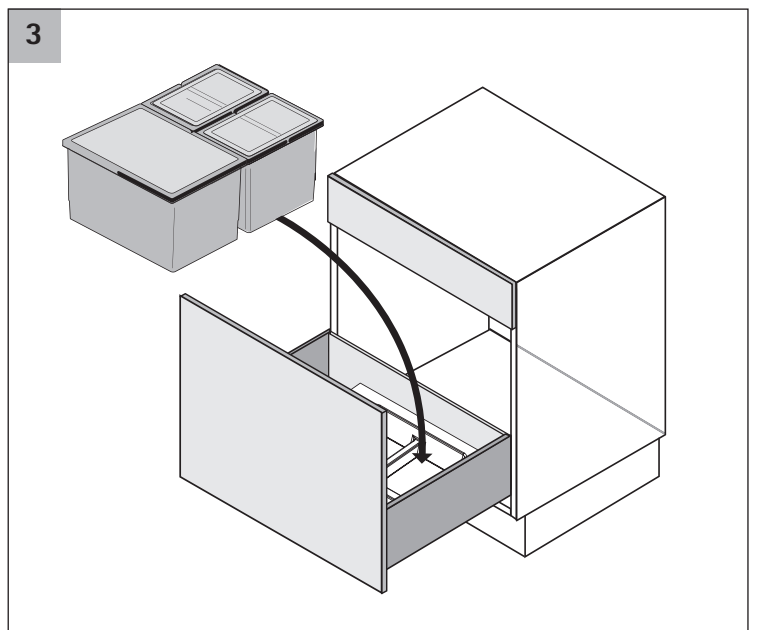
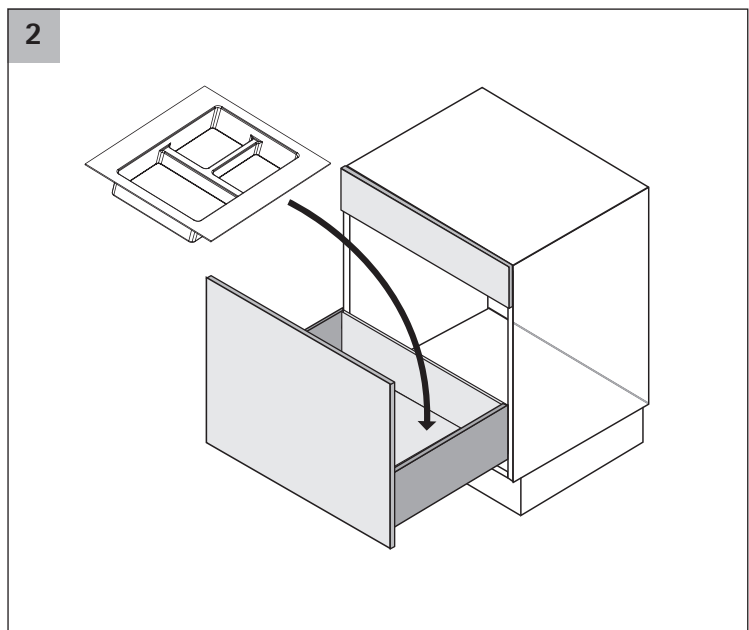
ArciTech / InnoTech / InnoTech Atira / AvanTech 320 / 340  
 ArciTech / InnoTech / InnoTech Atira / AvanTech 320 / 340

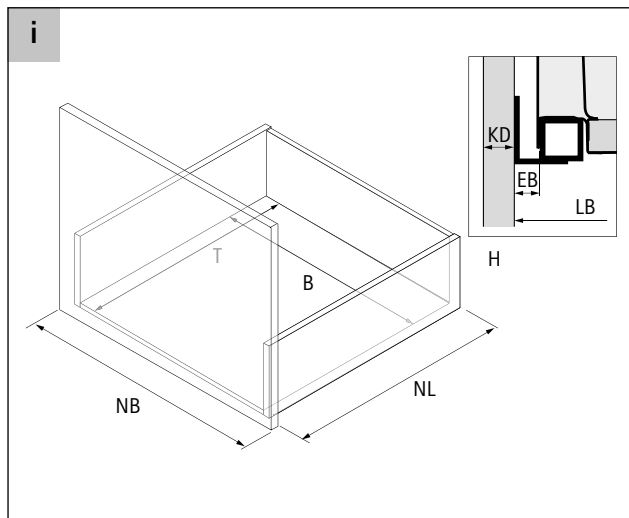
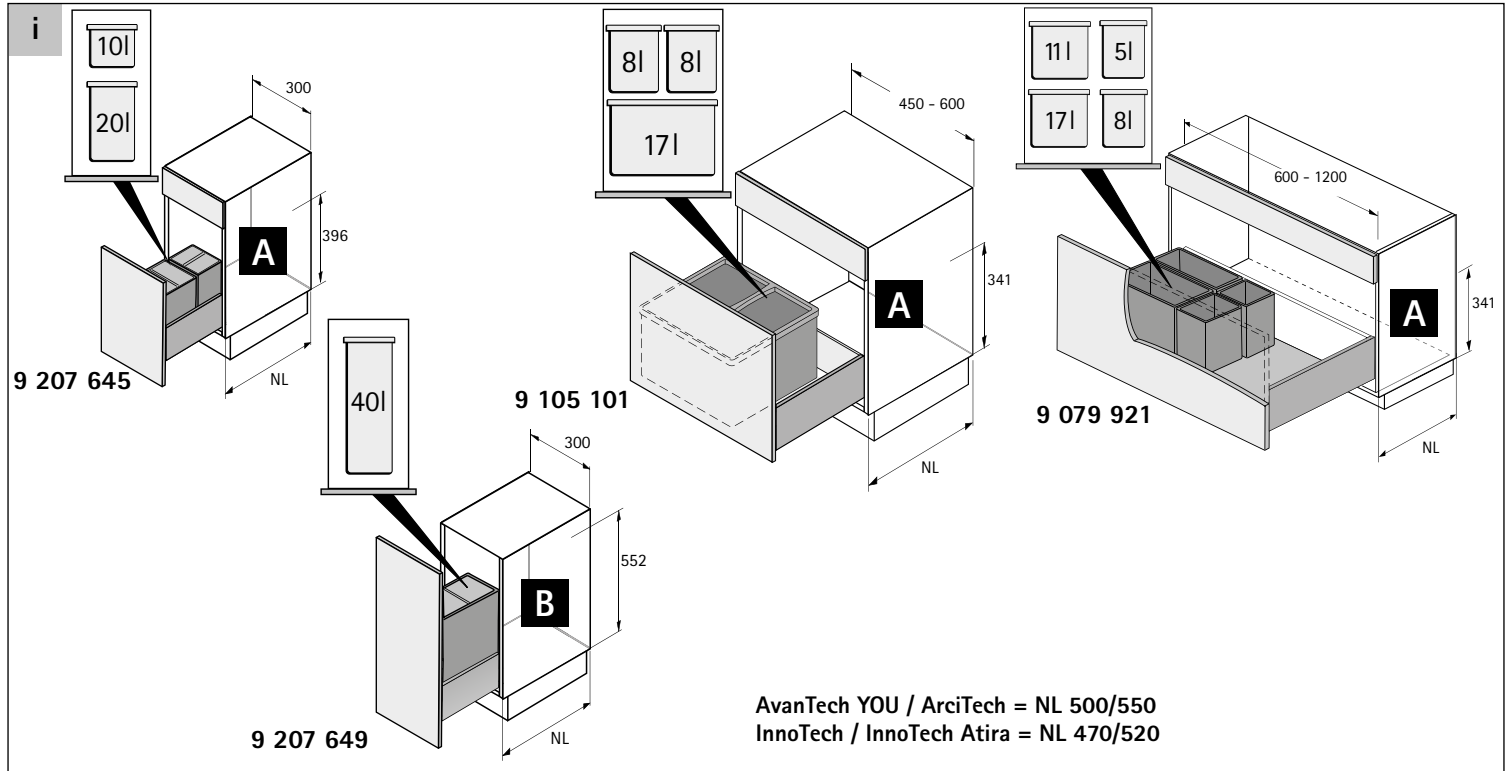
ArciTech / AvanTech = NL 500 / 550  
 InnoTech / InnoTech Atira = NL 470 / 520



**1**

	B	T
ArciTech	H 94 : LB - 2 x EB - 49 H 126: LB - 2 x EB - 52	NL - 27
AvanTech YOU	NB - 2 x KD - 42	NL - 27
InnoTech Atira	NB - 2 x EB - 44	NL - 8
InnoTech	NB - 2 x EB - 38	NL - 8





**1**

	9 207 645 9 105 101 9 079 921		9 207 649	
	B	T	B	T
AvanTech YOU	NB - 2 x KD - 42	NL - 27	NB - 2 x KD - 42	NL - 27
ArciTech	LB - 2 x EB - 62	NL - 27	LB - 2 x EB - 55	NL - 27
InnoTech / InnoTech Atira	LB - 2 x EB - 59	NL - 8	LB - 2 x EB - 47	NL - 8

