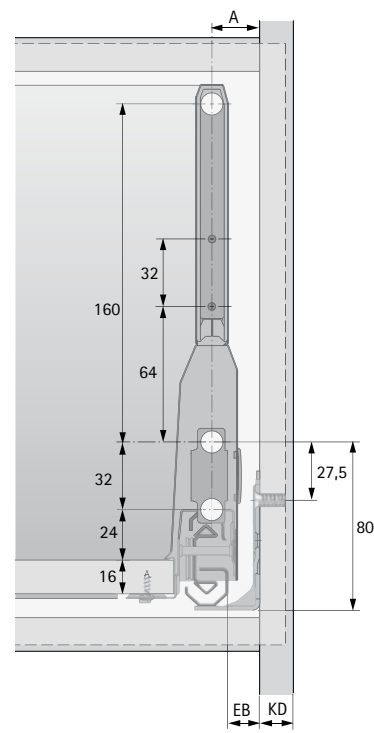
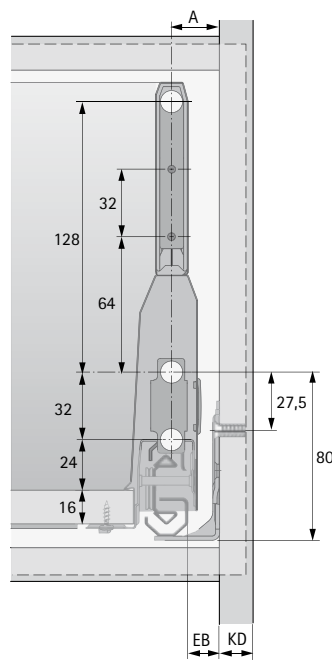
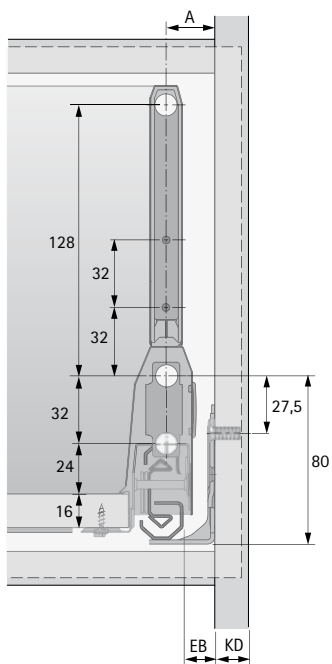
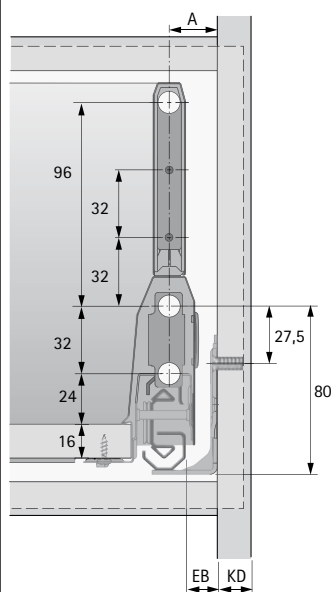


H 186 mm  
Z 94 mm  
DS 92 mm

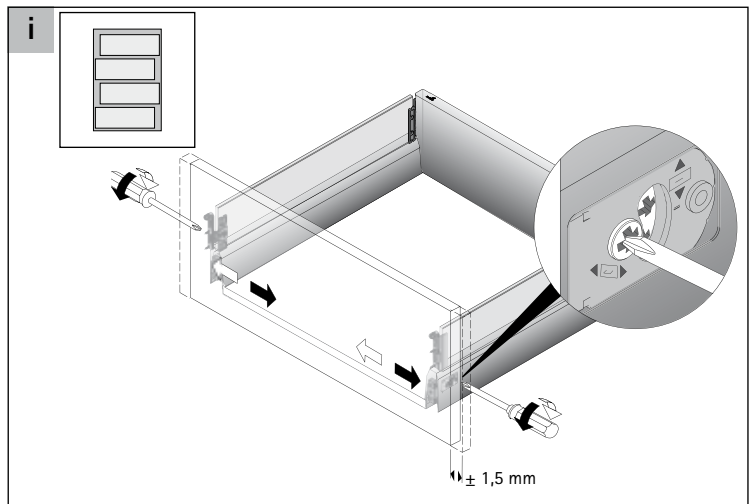
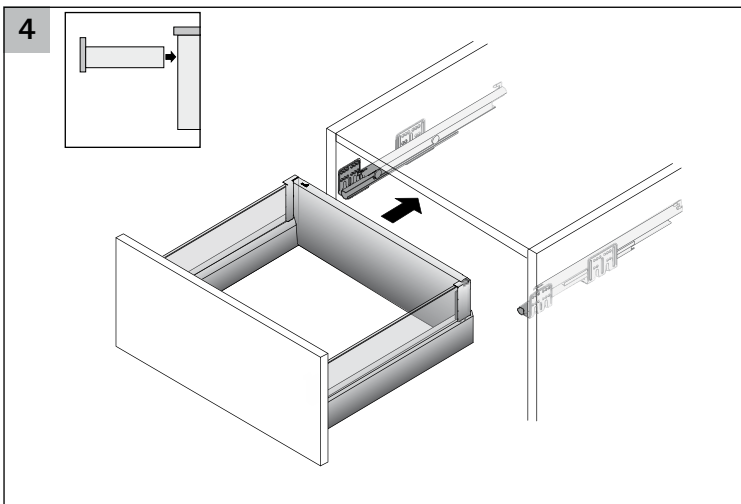
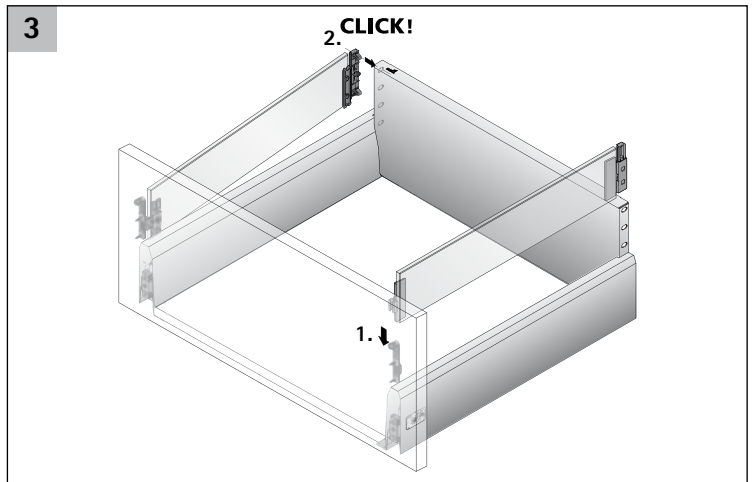
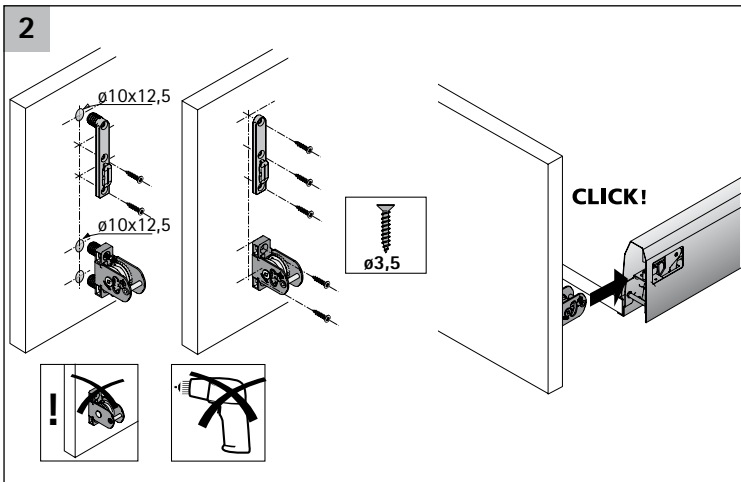
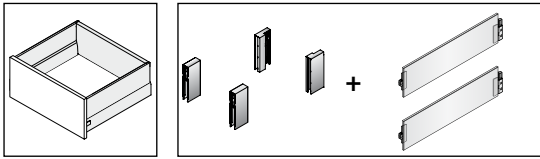
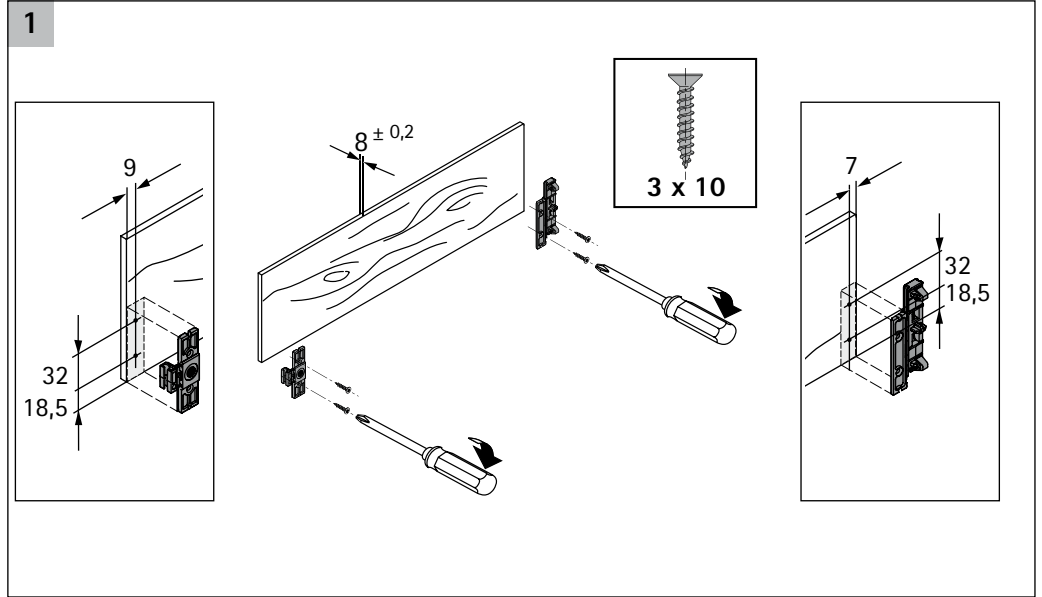
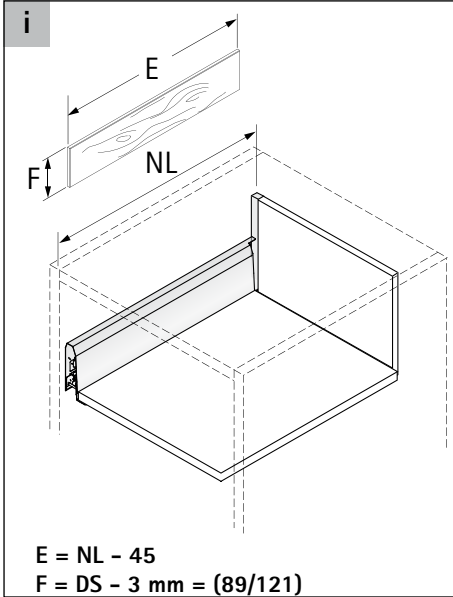
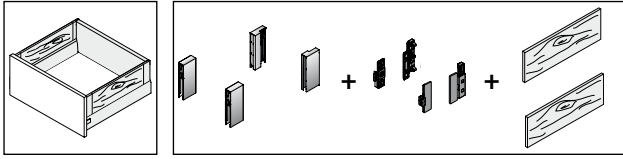
H 218 mm  
Z 94 mm  
DS 124 mm

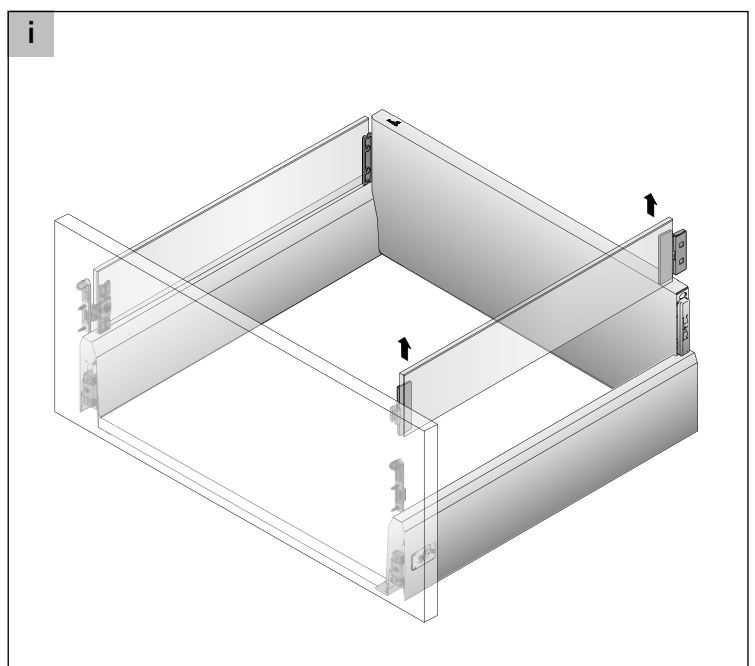
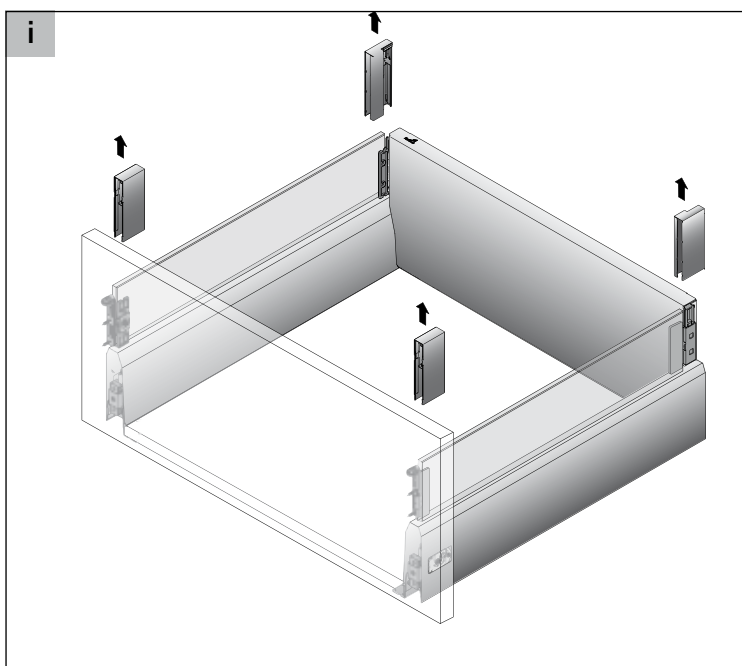
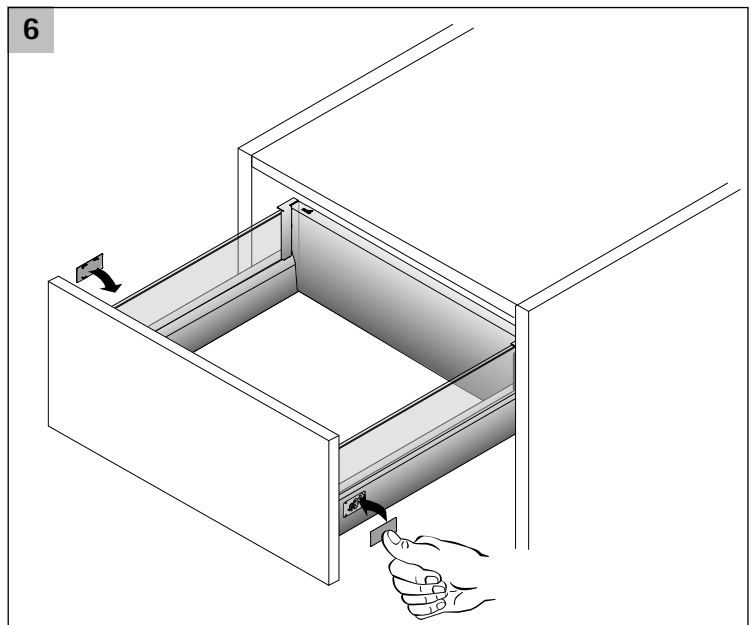
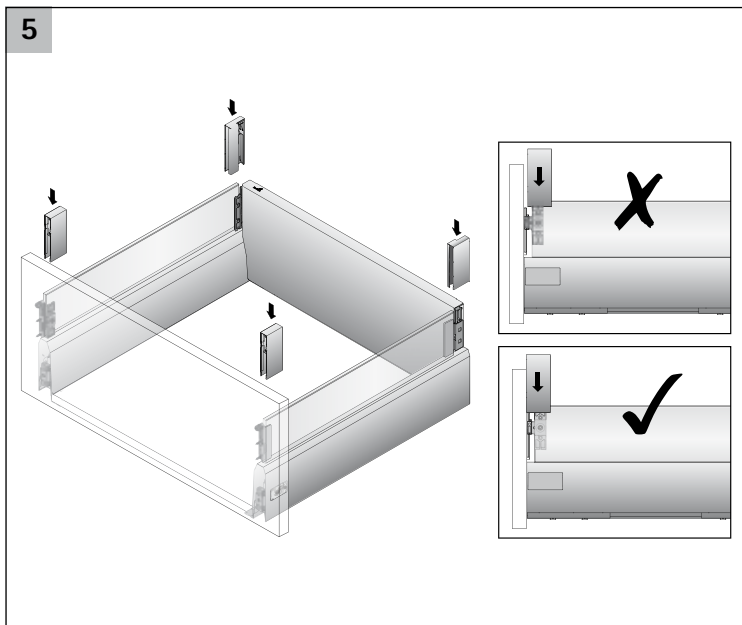
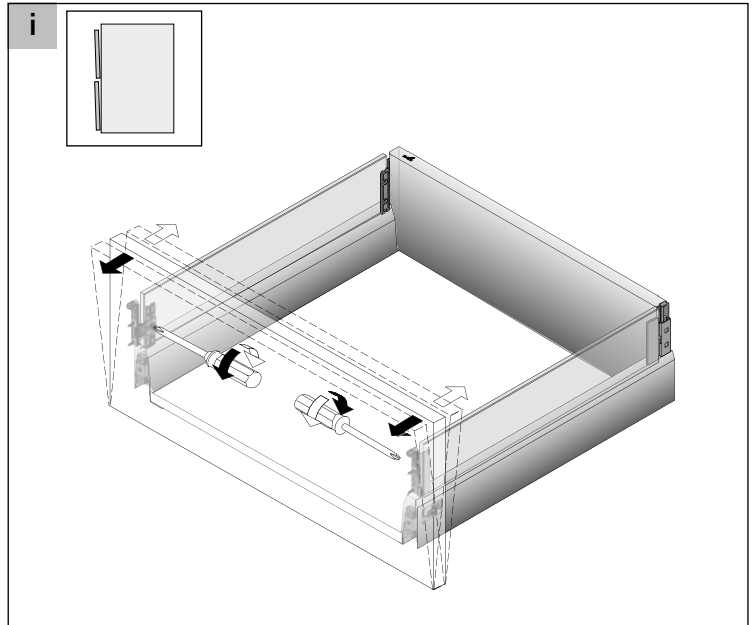
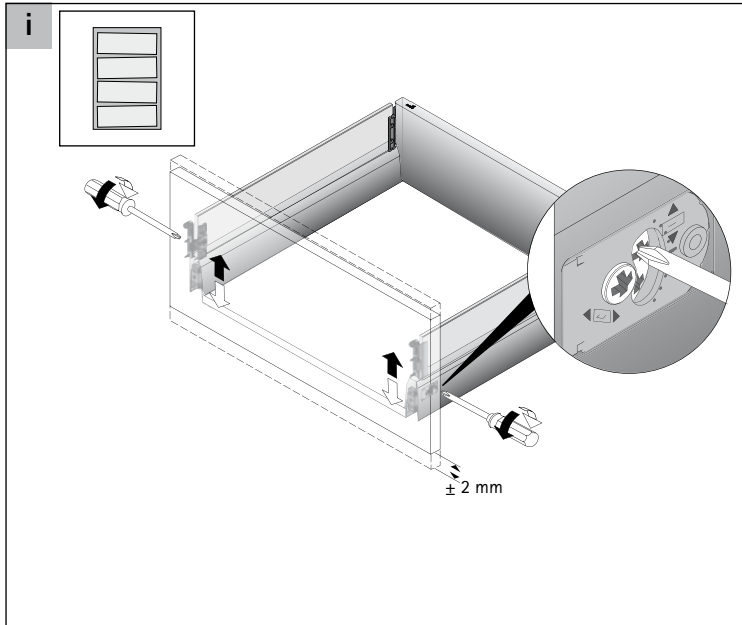
H 218 mm  
Z 126 mm  
DS 92 mm

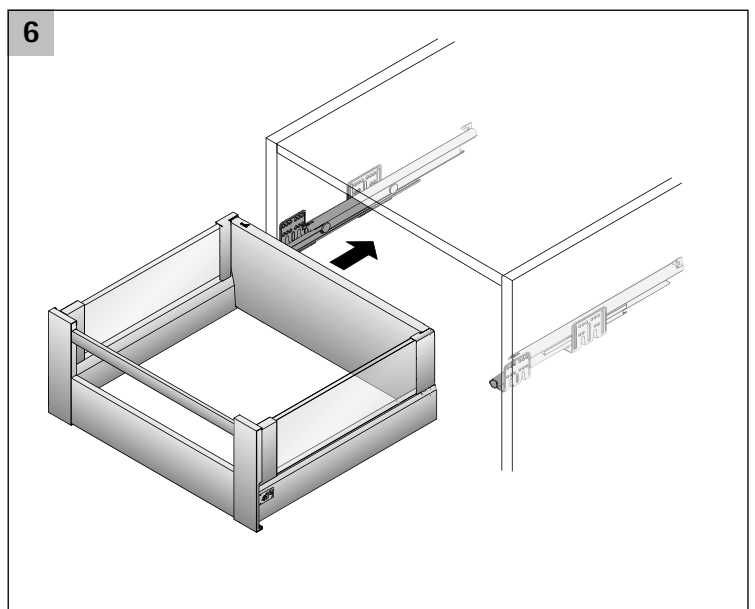
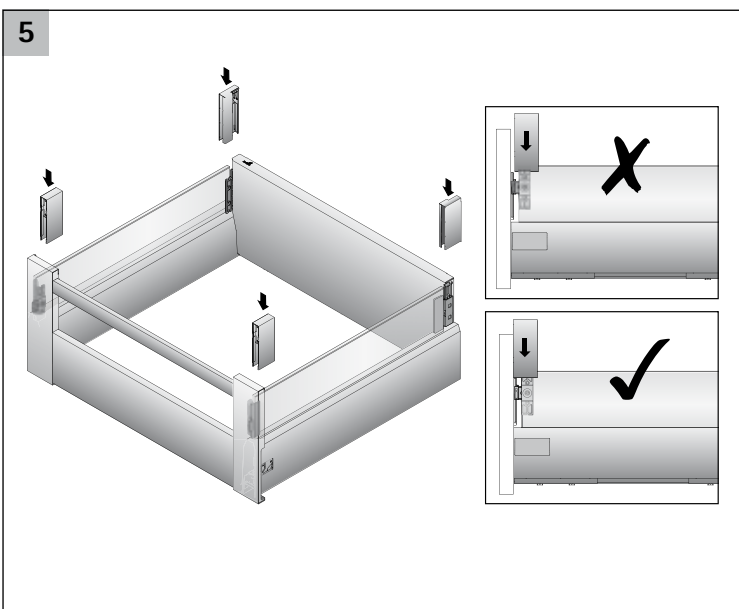
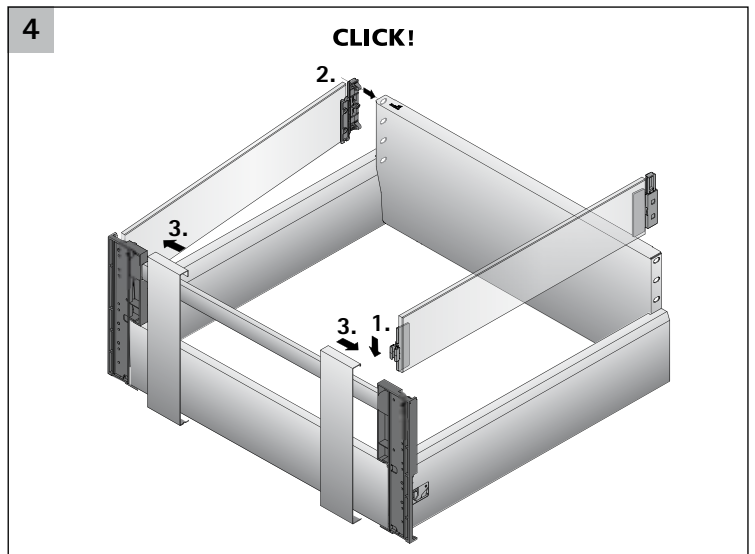
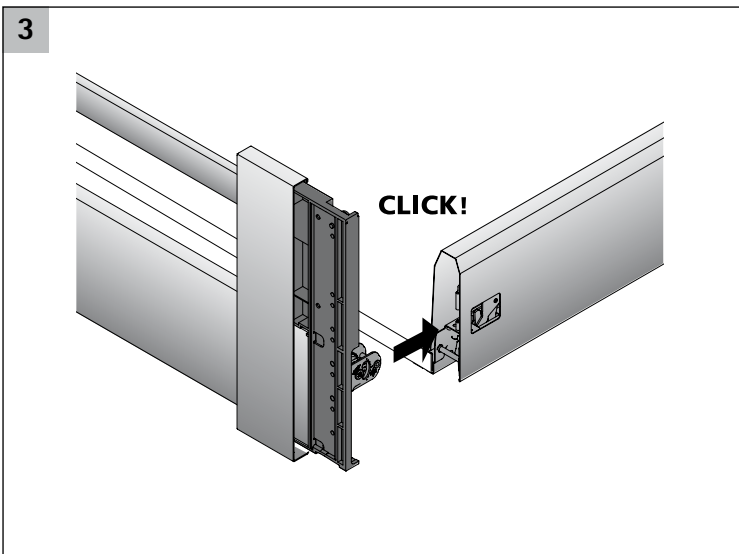
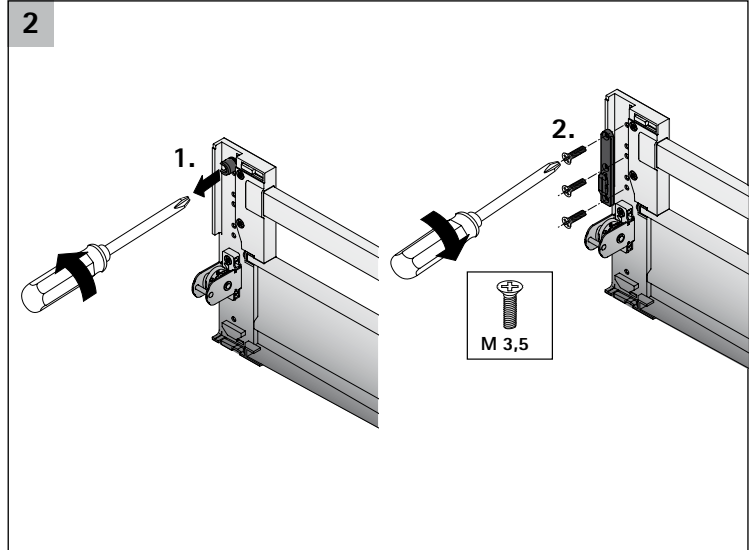
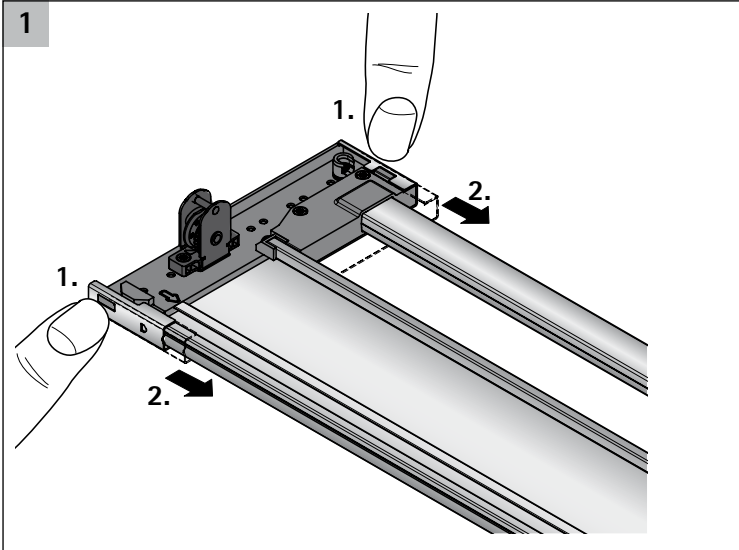
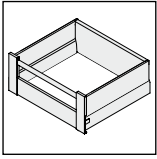
H 250 mm  
Z 126 mm  
DS 124 mm

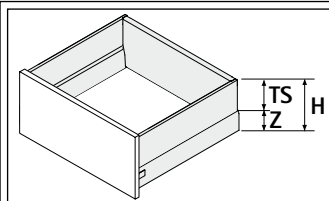
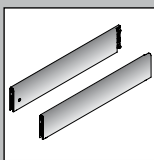


KD mm	15	16	18	19
EB mm	16	15	13	12
A mm	24	23	21	20







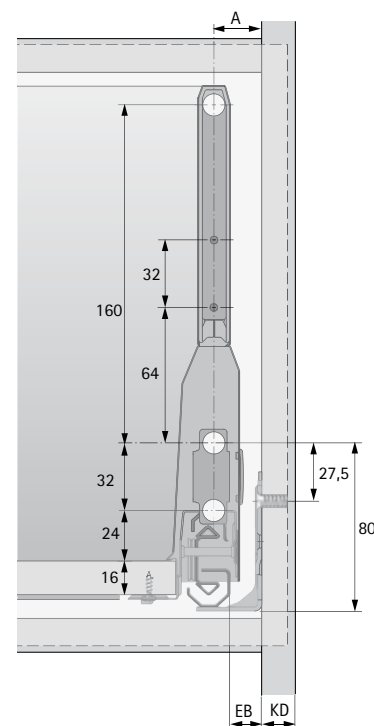
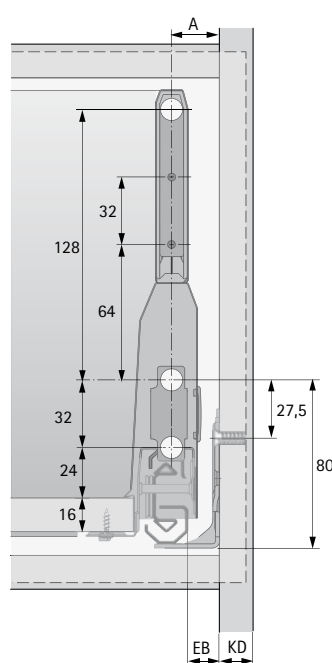
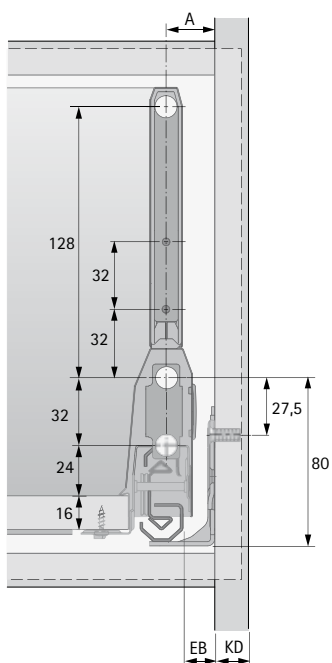
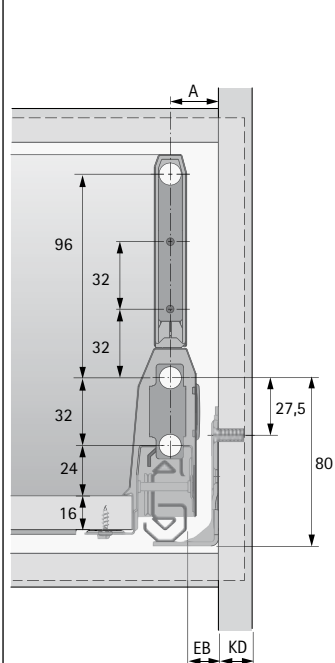


H 186 mm  
Z 94 mm  
TS 92 mm

H 218 mm  
Z 94 mm  
TS 124 mm

H 218 mm  
Z 126 mm  
TS 92 mm

H 250 mm  
Z 126 mm  
TS 124 mm



KD mm	15	16	18	19
EB mm	16	15	13	12
A mm	24	23	21	20

